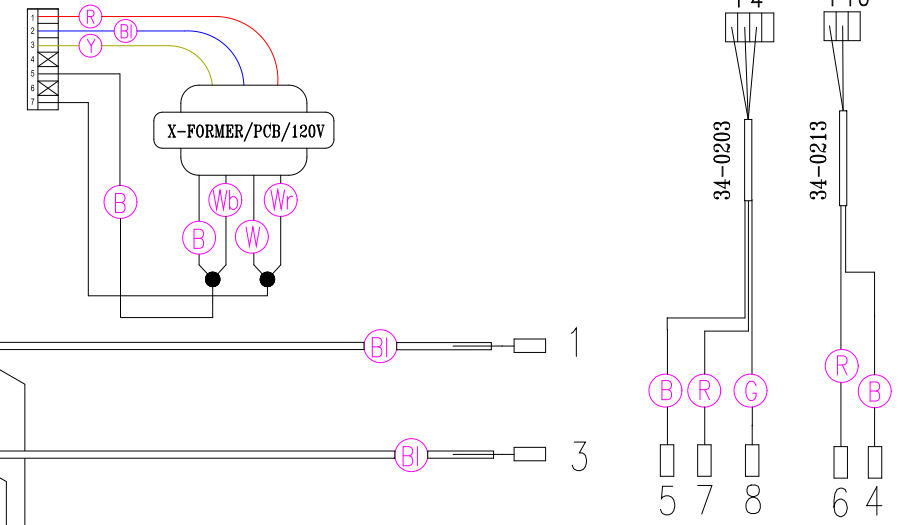
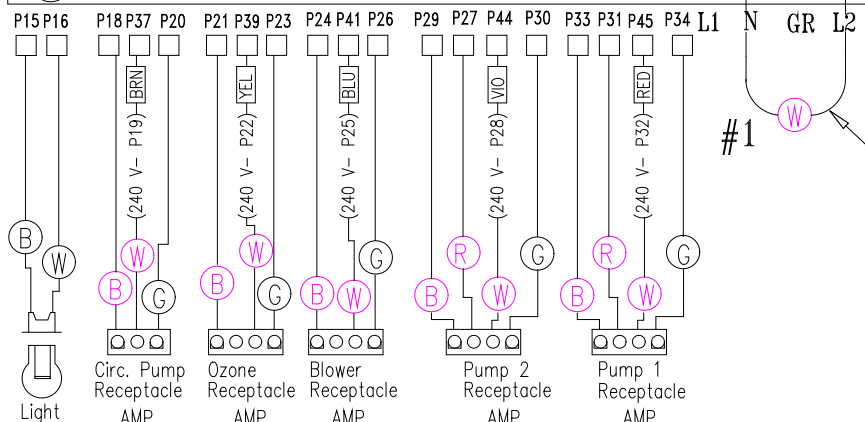
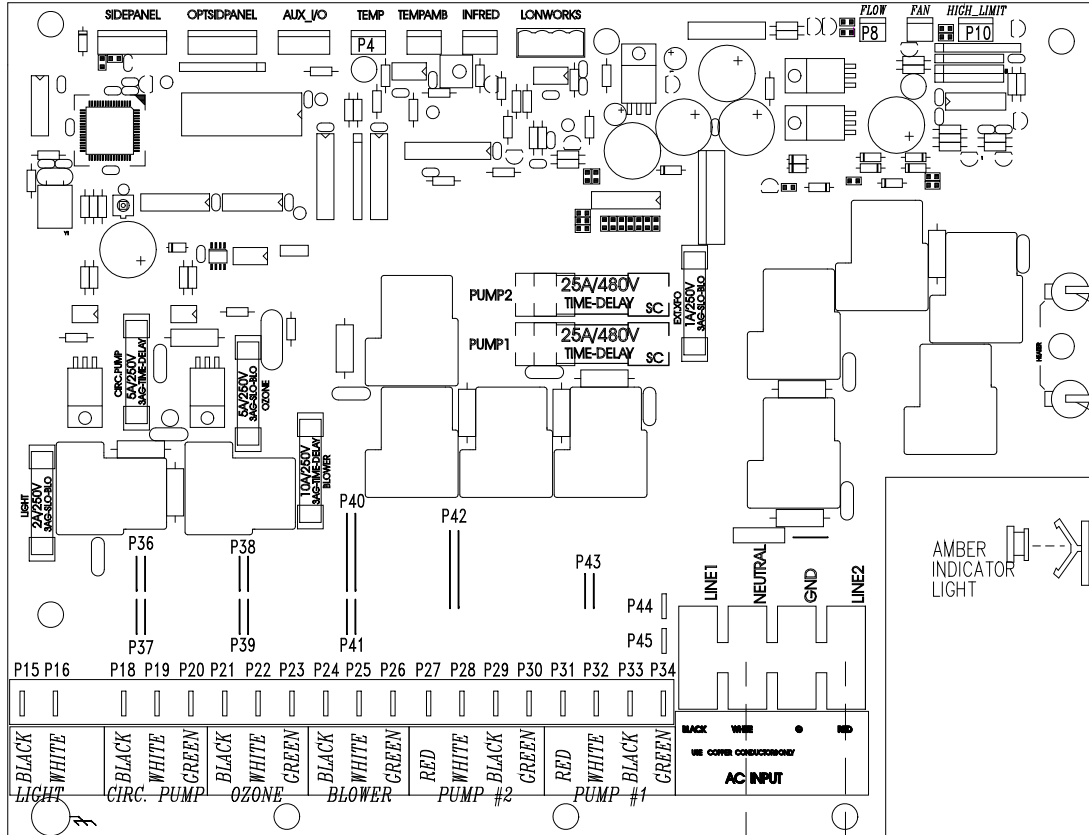
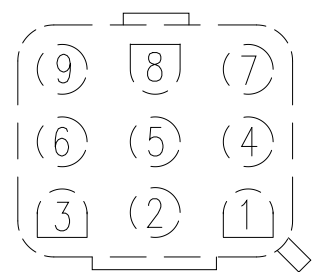
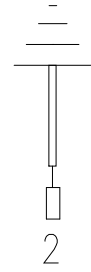


33-0011-R4



* Wire side view from inside control box.



LEGEND	
	- 1/4" QUICK CONNECT
	- 1/4" QUICK CONNECT PIGGYBACK
	- FORK CONNECTOR
	- RING CONNECTOR
	- SOCKET CONNECTOR
	- PIN CONNECTOR

HYDROQUIP
CORONA, CA (909) 273-7575

Manufacture Notes: XXX Indicates the color of heat shrink to be used.

Approved By:

Dwg. No. **D5S56A0-DKMPQY-S**

Drawn CDV
Date 7.25.00

Rev 2

Wire Color Code	
B - Black	G - Green
Br - Brown	Bl - Blue
R - Red	V - Violet
O - Orange	W - White
Y - Yellow	Gr - Gray

#1 For 120V Operation: The jumper must be placed between Line 2 and Neutral
For 240V Operation: The jumper must be removed from Line 2 and Neutral

Diagram No. **6603**